

MINIMAG™

Compact Intelligent Swipe Reader

for Magnetic Stripes



Fits in tight places.

The MiniMag Intelligent Swipe Reader is designed for POS and desktop applications where space is at a premium. The entire unit is just 90mm long (about the length of a credit card), giving it the smallest footprint of any unit with comparable features.

Edits and formats data.

The MiniMag is a fully intelligent swipe reader that can be programmed to divide, rearrange, edit, and validate fields of magnetic card data. It automatically distinguishes between AAMVA and CA DMV formats.

Reads magnetic stripes.

The MiniMag reads up to three tracks of information with a single swipe in either direction. Its standard-length slot makes it easy to use. Both beeper* and LED indicators signal a successful read.

Versatile, low cost.

The MiniMag Intelligent Swipe Reader delivers exceptional functionality and value in the smallest possible package. It can be used as a free-standing unit, or permanently mounted using the threaded inserts in the bottom of the reader. (The cable can exit through the bottom as well.) TTL, RS-232, keyboard wedge, USB/RS-232, and USB/keyboard interfaces are available, as well as a port-powered version that utilizes an RS-232 interface but requires no power supply.

IDTECH®

Value through Innovation

* Beeper not available with port-powered model.

IDT 3321/31 MiniMag Intelligent Swipe Reader Specifications

Electrical

Magnetic TTL:

Power +5 VDC +/-10% (50mV ripple maximum). Ground 0 VDC (GND).
Chassis ground connected to GND and magnetic head case.

Operating Current:

1.1mA per track maximum when reading a card, TTL.
About 30mA for decoded magnetic stripe (three tracks), Keyboard. About 40mA for decoded magnetic stripe, USB/Keyboard and RS-232. About 70mA for decoded magnetic stripe, USB/RS-232.
5.5mA typical with LED (<8mA at peak usage) for port-powered model.

External Power Supply:

5 VDC/350mA (required for RS-232 version only). Port-powered option requires no power supply.

Environmental

Operating Temperature:

32°F to 131°F (0°C to 55°C).

Storage Temperature:

-22°F to 158°F (-30°C to 70°C).

Humidity:

Maximum 95% non-condensing.

Reliability

Magnetic Head Life:

1,000,000 passes minimum.

Rail and Cover Life:

1,000,000 passes minimum.

Read Rate:

Less than one error in 100,000 bits on cards conforming to ISO 7811 1-5 (not induced by operator error).

Warranty:

Two years, parts and labor.

Mechanical

Magnetic Stripe Formats:

ISO 7811, AAMVA, and CA DMV.

Swipe Speed:

3 to 60 inches per second, bi-directional. (5 to 50 inches per second for port-powered model.)

Card Thickness:

.015 to .045 inches.

Slot Width:

.050 inches (1.37mm).

Indicators:

Tri-colored LED, beeper (not available on port-powered model).

Interfaces:

RS-232, Keyboard wedge, USB/keyboard, USB/RS-232, TTL (undecoded magnetics).
Port-powered option is RS-232 only.



Dimensions:

Length: 3.54 inches (90mm). Width: 1.34 inches (34mm). Height: 1.10 inches (28mm).

Weight:

Approximately 4.6 oz.

Cable Length:

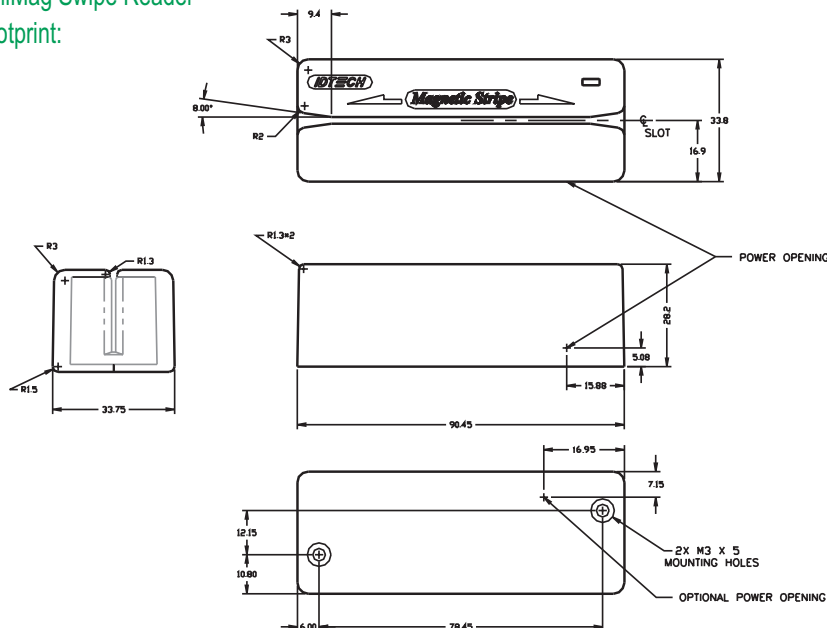
6-foot straight cable. (Cable exit through the bottom of the unit is available as an option; minimum quantities apply.)

Connector:

Keyboard: 6 pin mini-DIN. TTL: 9 pin squeeze. RS-232: DB9F.

MiniMag Swipe Reader

Footprint:



IDTECH®

Value through Innovation

10721 Walker Street
Cypress, California 90630
(714) 761-6368 Fax: (714) 761-8880
Visit us at www.idtechproducts.com

ISO 9001-2000 Certified